

PLW201-RGB

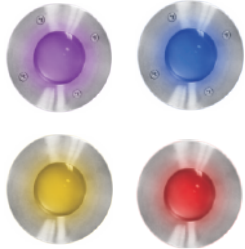
INGROUND LED IP65



SPECIFICATION SHEET

PROJECT NAME / No: _____

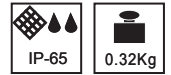
TYPE: _____ QTY: _____



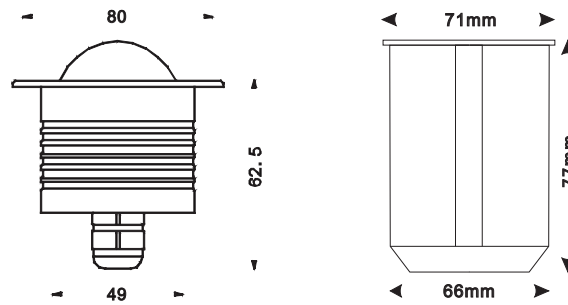
Get wonderful color changing effect with RGB controller.



PLW201-RGB



FEATURES ::



SPECIFICATION ::

- Housing: 12# Die-casting grey powder coated aluminium. T= 60-80µm
Adhesion of ISO class 1/ASTM class 4B
- Front ring: Stainless steel (SUS 304#, 316# optional)
- Lens: Optical Glass
- Waterproof seal: Rubber seal
- Operating temperature: -20 °C ~ 40 °C
- Mouting sleeve: PVC

Item No.	Light Source	Suitable Lens	Lens Beam Angle (°)	Input Voltage (v)	Typical Operating Current(mA)	Typical Consumption(w)	Typical Luminance (lm)
PLW201-RGB	1x3W RGB 3 IN 1	L0145F042KP	45	24VDC	R=38 G=53 B=54	R=0.9 G=1.3 B=1.3	R=15 G=26 B=5